

SmartCom from GE Security adds tangible value to your residential new construction offering. SmartCom blends control of multi-room audio and intercom into a single, attractive room station keypad.

The SmartCom Room Station works right out of the box, but can be customized with unique room titles and source names. Intercom and audio functions are driven by hub modules designed to fit in the GE Smart ConnectionCenter. The GE Smart ConnectionCenter also intelligently distributes home

phones, broadband Internet, cable or satellite and security video throughout the home.

SmartCom is easy to wire and install using Cat5 cables, speaker wires, double gang trim rings, and hubs that fit into the GE Smart ConnectionCenter.

SmartCom

integrated intercom and multi-room audio system



SmartCom Features

- Easy to use and install
- Customizable
- Attractive
- Scalable
- Integrated into the GE Smart ConnectionCenter

Intercom Features

- Call the entire home at the touch of one button
- Private room-to-room intercom with hands-free answering
- Listen/monitor mode for babies or small children
- SmartCom Room Station can be customized with room titles
- Intercom expandable to 16 rooms
- Door strike controllable from any room (with door strike hardware sold separately)

Multi-Room Audio Features

- High-quality, efficient Class D stereo audio amplifiers
- Customizable audio source names
- Four sources to four zones standard, expandable to 16 zones

SmartCom benefits

Attractive, versatile, intuitive interface

The centerpiece of SmartCom is the SmartCom Room Station. SmartCom is designed to be extremely user friendly and its operation is straightforward and intuitive. Just turn the center dial of the Room Station to control audio or intercom volume; simply push the dial to talk. Backlit function buttons provide one-step control over major Intercom and Audio functions.

The programmable LCD screen allows homeowners to customize their system by naming intercom rooms and giving titles to audio sources. The brightness of the backlit screen can be fully adjusted, even turning to dark if desired.

Multi-room audio

Bring audio entertainment to any room in the house. Listen to the media room stereo in the family room, upstairs in the master bedroom, or in the kitchen. You choose the source and select the volume that is right for that room. The GE SmartCom Room Station allows you to select from up to four audio sources and control those sources through the pass-through IR receiver in each Room Station.

Intercom

SmartCom connects the entire house, allowing you to page all rooms simultaneously or to call one room privately. When receiving a private call, the person in that room can answer hands free, even from across the room.

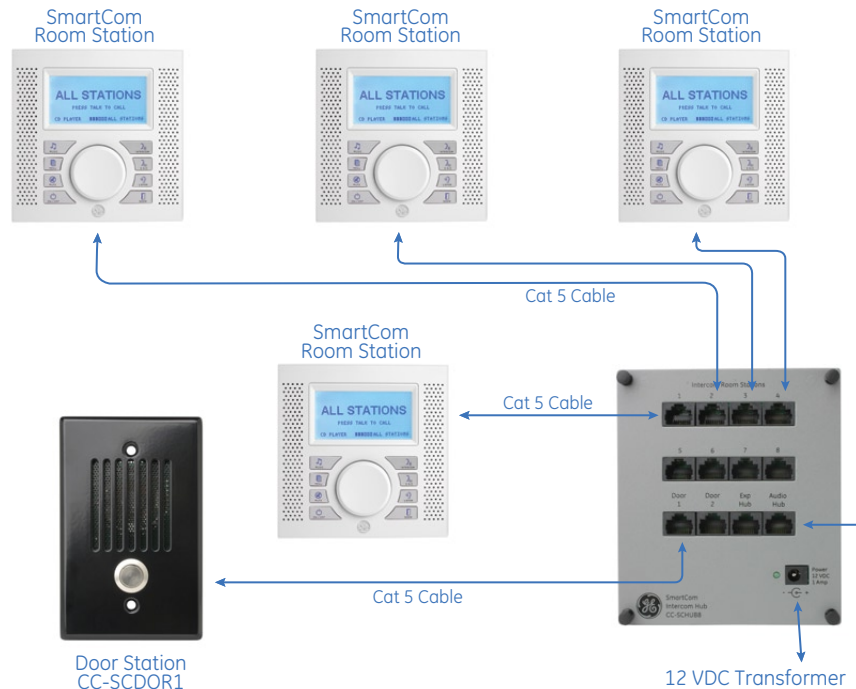
The SmartCom Intercom intelligently mutes the music in each room involved in a call and returns the music to its original volume when the call is completed. The SmartCom door station allows calls from the front door to be answered from any room in the house. Each Room Station can open a door if door strike hardware has been installed.

Integrated door control

The SmartCom door station rings a doorbell through the home that can be answered by any Room Station. The answering Room Station establishes a private call with the door, which can answer hands free. The Intercom Hub is equipped with a door strike relay to open a door or gate if door strike hardware has been installed.

CC-SCRS01 SmartCom Room Station

- Select from four audio sources
- Call all rooms for a whole house page
- Call room to room privately with hands-free answer
- Monitor baby's room from any room station
- Individual room do-not-disturb feature
- Electrical: 12 VDC, 100 mA (powered from the Intercom Hub)
- Operating temperature: 0 to 120°F (-17 to 49°C)
- Dimensions (HxWxD): 4.8 x 4.9 x 2.0 in. (122 x 124 x 51 mm)
- Weight: 0.75 lb. (340 g)
- Mounts in standard double-gang low-voltage trim ring
- Wiring: Cat5 cable terminated in RJ45 male connector
- Connections: Cat5 cable to Intercom Hub Room Station jack



CC-SCDOR1 SmartCom Door Station

- Door station connects to dedicated door inputs on the CC-SCHUB8 SmartCom Intercom Hub
- Integrated door bell button
- Weatherproof speaker
- Mounts in standard single-gang low-voltage trim ring
- Electrical: 12 VDC, 100 mA max. (powered from Intercom Hub)
- Operating temperature: 0 to 120°F (-17 to 49°C)
- Dimensions (HxWxD): 4.75 x 3.0 x 2.0 in. (121 x 76 x 51 mm)
- Weight: 0.5 lb. (227 g)



CC-SCHUB8 SmartCom Intercom Hub

- Connects eight rooms of intercom and interfaces with the SmartCom Audio Hub
- Two dedicated door inputs
- 1 amp door-strike relay
- Connects to CC-SCAMP4

- SmartCom Audio Hub for intercom calls over in-room audio
- Fits into the modular panels of the GE Smart ConnectionCenter
- Electrical: 12 VDC, 1 A, supplied by external transformer
- Operating temperature: 0 to 120°F (-17 to 49°C)
- Dimensions: GE ConnectionCenter 2x module size
- Weight: 0.5 lb. (227 g)
- Wiring: Room and Door Stations, Cat5; Expansion and Audio Hubs, Cat5 patch cable; Optional Audio Input: RCA audio line level cable



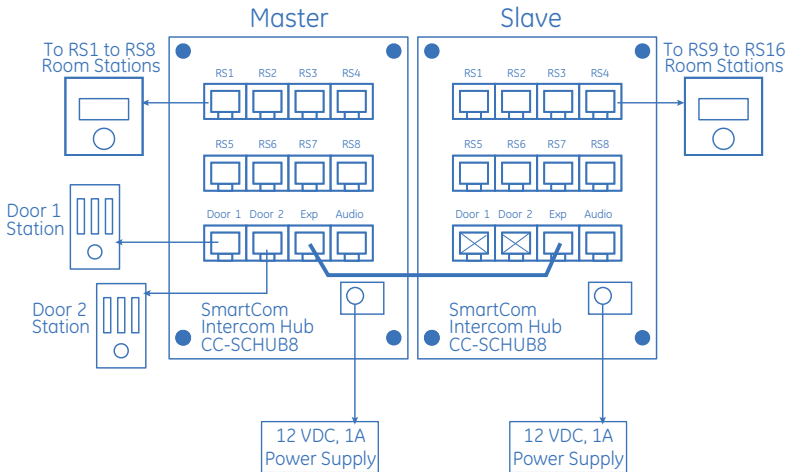
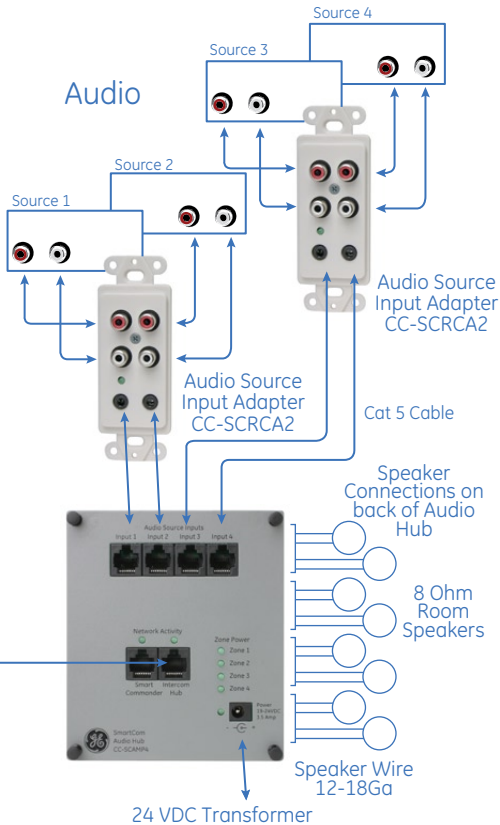
CC-SCRCA2 SmartCom Audio Source Input

- Dual stereo audio source inputs for RCA left and right channel inputs, which fit into standard single-gang low-voltage trim ring; uses decorator-style wall plate (not supplied)
- IR emitter jacks to connect IR emitters and IR activity LED
- RJ-45 connectors on back for Cat5 output to CC-SCAMP4 SmartCom Audio Amplifier
- Up to 200 foot Category 5 connection to CC-SCAMP4 SmartCom Audio Amplifier
- Electrical: 12 VDC, 100 mA max. (powered from Intercom Hub)
- Operating temperature: 0 to 120°F (-17 to 49°C)

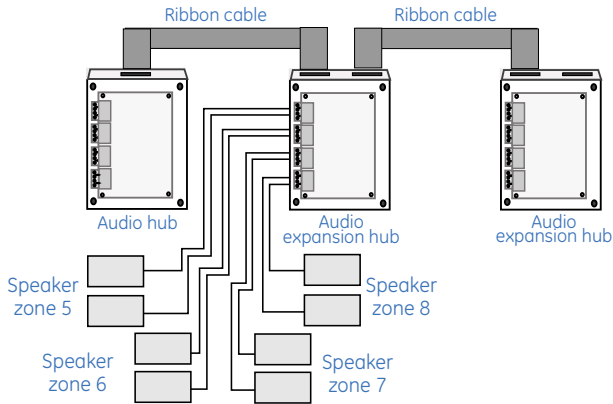
Remote Audio Source Input: The Dual Audio Source Input (DASI) provides for two remote stereo audio source inputs to be wired to the ConnectionCenter SmartCom Audio Hub. The DASI can be wired with up to 200 feet of Cat 5 wiring between it and the hub.

IR Emitter Output Jack: The DASI also provides two IR emitter output jacks (3.5 mm for standard emitters) for control of the audio source.

IR Emitter LED: An LED shows IR emitter activity.



Above: Wiring the CC-SCHUB8 SmartCom Intercom Hub.
Left: Wiring the CC-SCAMPX SmartCom Audio Expansion Hub.



CC-SCAMP4 SmartCom Audio Hub

- Four audio source inputs
- Four 20W Class D amplifiers, which give off very little heat
- Four stereo-speaker outputs to music zones
- Connects to CC-SCHUB8 SmartCom Intercom Hub

- Fits into the modular panels in the GE Smart ConnectionCenter
- Electrical: 19 to 24 VDC, 3 A, supplied by external transformer
- Operating temperature: 0 to 120°F (-17 to 49°C)
- Dimensions: GE ConnectionCenter 2x module size
- Weight: 0.5 lb. (227 g)



CC-SCAMPX SmartCom Audio Expansion Hub

- Four 20W Class D amplifiers, which give off very little heat
- Four stereo-speaker outputs to music zones
- Connects to CC-SCHUB8 SmartCom Intercom Hub
- Fits into the modular panels in the GE Smart ConnectionCenter
- Electrical: 19 to 24 VDC, 3 A, supplied by external transformer
- Operating temperature: 0 to 120°F (-17 to 49°C)
- Dimensions: GE ConnectionCenter 2x module size
- Weight: 0.5 lb. (227 g)



Americas
503-885-5700
888-GE-SECURITY
(437-3287)
info@gesecurity.com
www.gesecurity.com

Latin America
tel 305-593-4301
fax 305-267-4300

SmartCom ordering guide

CC-SCRS01	SmartCom Room Station
CC-SCHUB8	SmartCom Intercom Hub
CC-SCAMP4	SmartCom Audio Hub
CC-SCRCA2	SmartCom Audio Source Input
CC-SCDOR1	SmartCom Door Station
CC-SCAMPX	SmartCom Audio Expansion Hub, 4 additional music zones

Kit

CC-SCKIT4	4 SmartCom Room Stations, 1 Door Station, Intercom Hub, 12 volt power supply, audio amplifier, 24 volt power supply, 2 dual audio source input modules
-----------	--------------------------------------------------------------------------------------------------------------------------------------------------------