

Indoor/Outdoor

1A2, 3A2, 3T, 8A2



Jamo®

Congratulations on your purchase of Jamo Indoor/Outdoor speakers.

Package content.

Speaker (2)	Thumb screw "k" (4)	Port plug "i" (4)
Curved bracket "a" (2)	1" Allen bolt "d" (4)	Screw plug "g" (8)
Wall bracket "b" (2)	½" Allen bolt "e" (4)	Manual (1)
Wall bracket cover "c" (2)	Allen wrench (1)	

Assembly of bracket.

Place the curved bracket (a) between the wall bracket (b) and wall bracket cover (c) as shown in fig. 1. Insert two 1" allen bolts (d) through wall bracket into wall bracket cover and tighten with the supplied allen wrench. Insert two ½" allen bolts (e) into each side of wall bracket and tighten towards curved bracket.

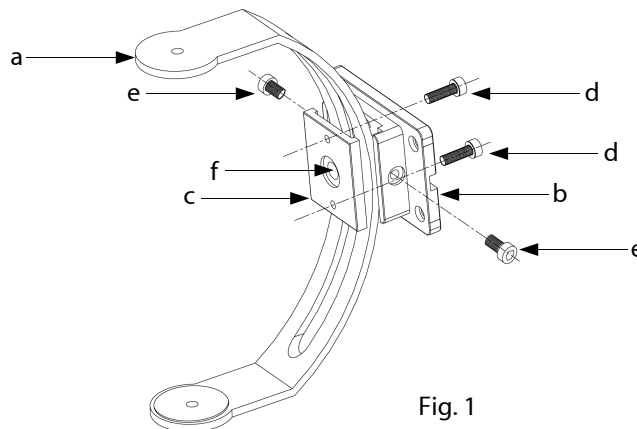


Fig. 1

Mounting of bracket.

The bracket can be mounted for horizontal or vertical placement of the speaker. Mount the bracket with four screws (not included) appropriate for the surface the bracket is mounted to (wood, brick, concrete or other). Take into account the weight of the speaker (specifications on back). A hole (f) in the middle of the bracket allows for running the speaker wire through the bracket if so desired. Cover the screws with four screw plugs (g) fig. 2.

Mounting of port plugs.

If the front of the speaker is exposed to rain directly entering the bass reflex ports (under the grill), the ports should be closed to avoid filling the speaker with water. High moisture is not a problem. Remove the grill (h) from the speaker and insert two port plugs (i) into the bass ports. Re-install the grill. The speaker will reproduce less bass with the ports closed.

Connecting speaker wires.

Loosen speaker terminals by turning counter clockwise. Strip $\frac{1}{2}$ "/12 mm insulation off each wire. Twist strands on each wire to form "solid" wire. Insert one wire into each terminal and tighten terminal by turning clockwise. Make sure positive (+) is to red terminal and negative (-) to black terminal for correct phasing.

Adjustment of I/O 3T.

This model is for 70V or 100V line installation. This is mainly used in commercial installations with many speakers and requires an amplifier with matching transformer outputs. A switch located next to the terminals allows for adjustments of the level of the speaker in 10W, 5W, 2.5W and 1.25W settings. Adjust the switch to the desired level on each speaker.

Mounting of speaker.

Remove two covers (j) from the speaker. Place the speaker inside the curved bracket as shown in fig. 2 and insert thumb screws (k) through each end of the curved bracket into the speaker. Adjust the speaker to the desired angle and tighten the thumb screws. Re-install the covers. The curved bracket can be adjusted in the wall bracket by loosening the two $\frac{1}{2}$ " allen bolts and re-tighten them after adjustment.

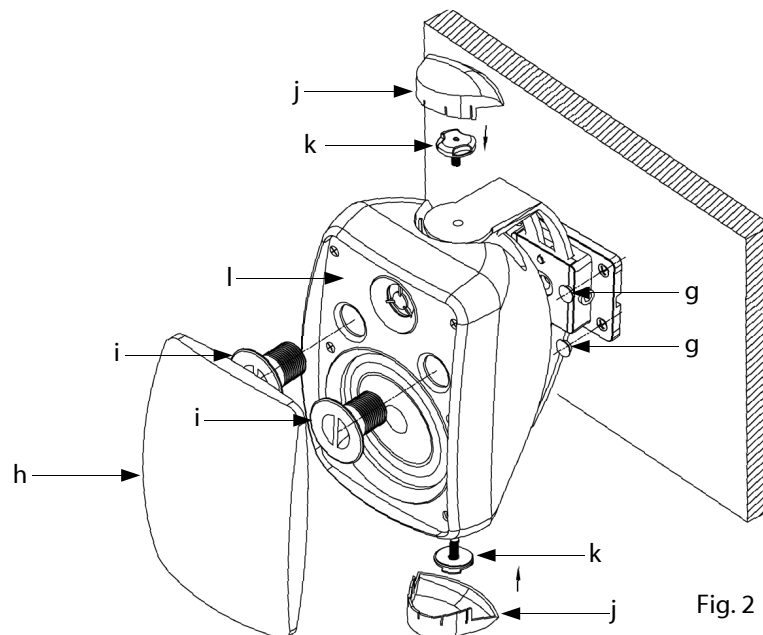


Fig. 2

Painting.

The speaker and bracket can be painted. Spray painting is recommended. Paint all parts before assembling. Remove the grill from the speaker before painting and cover the front baffle (l) of the speaker. Apply many thin coats instead of a few thick coats to avoid the paint running or clogging the grill holes. Re-install grill after painting.

Specifications

Model	I/O 1A2	I/O 3A2	I/O 3T	I/O 8A2
System	2 way ported	2 way ported	2 way ported	2 way ported
Woofers (in/mm)	4½/114	5¼/133	5¼/133	8/203
Tweeter (in/mm)	½/13 Dome	1/25 Dome	1/25 Dome	1/25 Dome
Power (W long/short term)	20/40	40/80	40/80	80/125
Sensitivity (dB/2.83V/1m)	86	88	88	88
Frequency range (Hz)	77-20,000	64-20,000	64-20,000	50-20,000
Impedance (Ohm)	6	8	70/100V line	8
Weight (lb/kg)	5.1/2.3	6.9/3.2	7.3/3.3	10.1x4.6
Dimensions HxWxD (in/mm)	9.1x6.3x6.6 232x160x168	11.4x7.9x8.2 290x200x209	11.4x7.9x8.2 290x200x209	13.5x9.3x9.8 344x237x248

Limited Warranty

Jamo loudspeakers and accessories are covered by a limited warranty in respect to manufacturing and equipment defects. Other claims are not covered. This warranty is a national warranty in accordance with relevant legislation. Period of the warranty is as stated below and is in effect from the date of purchase.

Customer sales slip with date of purchase is the only document needed for warranty claims.

Jamo warranty on all loudspeakers and accessories is seven (7) years. In-wall and in-ceiling loudspeakers carries Limited Lifetime Warranty in the US only. Electronics (receivers, amplifiers, screens, distribution systems, sub-woofer amplifier etc.) carries a two (2) year warranty.

www.jamo.com